

# Machinery – Circular cut-up saw safety when processing poultry

## What is the problem?

Workers operating an unguarded circular cut-up saw when processing poultry.

## What are the risks?

Arms, wrists or fingers can be trapped in the machine, causing crushing injuries or amputation.

A worker operating a poultry cut-up saw had his fingers amputated. The machine was not guarded and there were no safe operating procedures for using the saw.

## What is a solution to the problem?

Put in place risk control measures to eliminate or minimise risks by:

- guarding the machine to protect workers from injury or amputation (eg a permanently fixed physical barrier or barrier that can only be removed with tools)
- installing a blade brake and/or sinterlocked pressure mat in front of the saw that turns off the machine when the operator steps off. The saw can only be reactivated once the operator stands on the pressure mat and manually switches on the saw

- installing a warning device when the saw is on and running (eg a red light)
- ensuring the cut-up area is separated from other areas of the process by using barricades or fencing
- implementing an effective traffic management program to reduce accidental contact with the rotating blade
- regularly inspecting and testing the safety system
- servicing the machine regularly and ensuring the cradle loading device is regularly assessed and maintained
- placing signs on or near the machine to alert employees of the dangers of operating the machine
- providing workers with instructions and training on safe work procedures, and regularly reviewing them
- providing workers with personal protective equipment (PPE) such as chain mesh gloves, safety glasses, hearing protection and non-slip footwear.

## Further Information

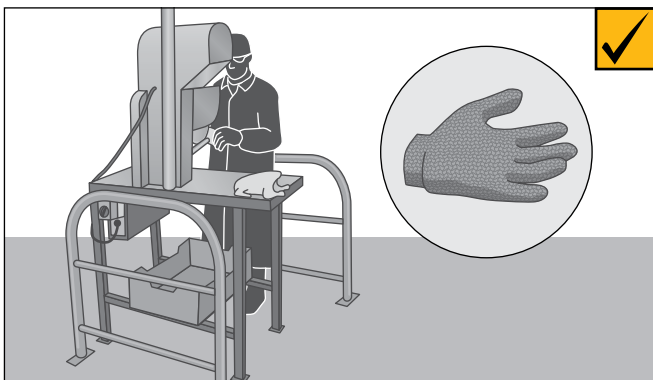
### WorkSafe Advisory Service

Toll-free: 1800 136 089

Email: [info@worksafe.vic.gov.au](mailto:info@worksafe.vic.gov.au)

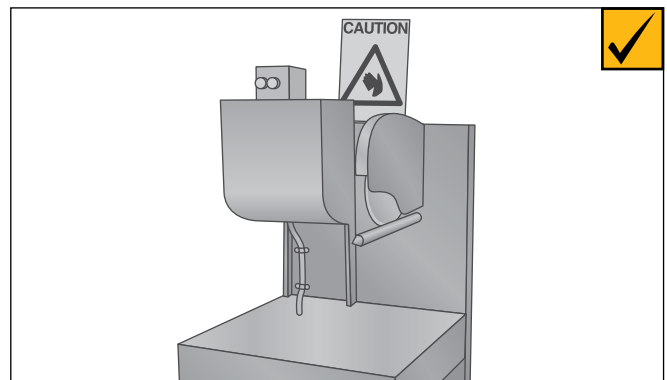
[worksafe.vic.gov.au](http://worksafe.vic.gov.au)

## The solutions



Always isolate the machine to reduce accidental contact with the machine and wear chain mesh gloves.

HSS0092/01/06.09



Ensure the machine is appropriately guarded.